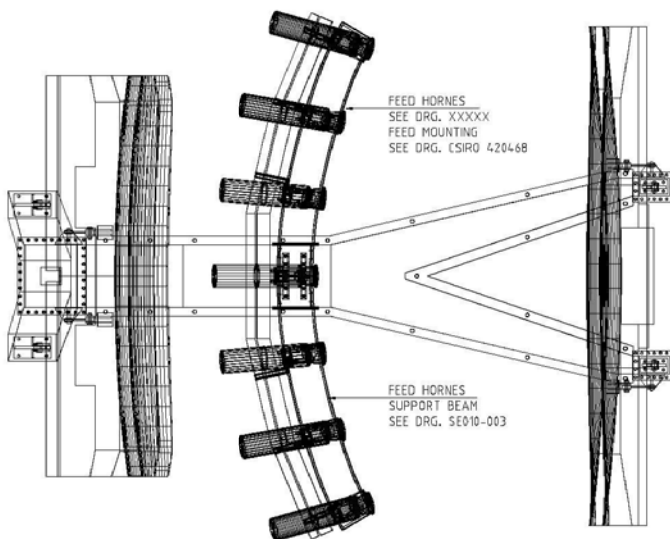
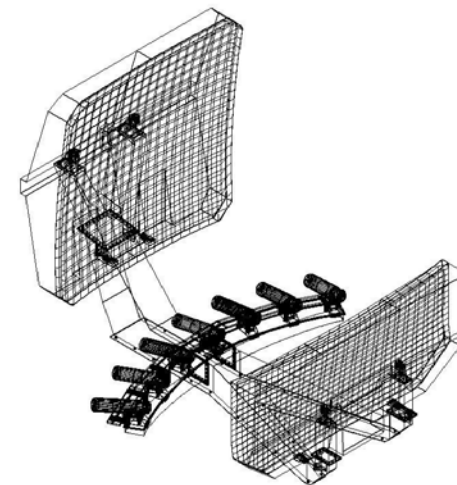


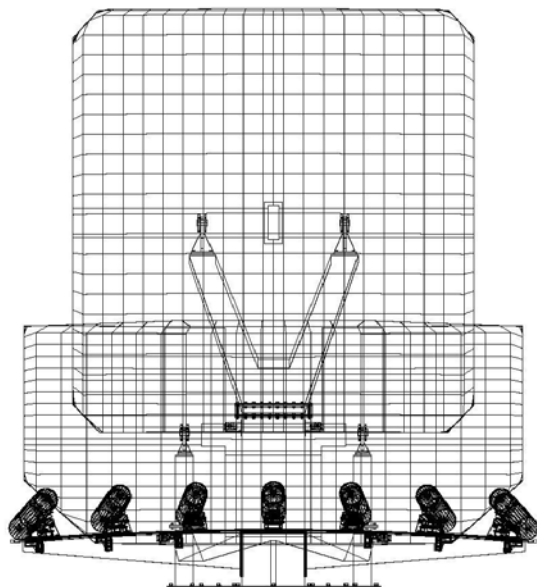
ISOMETRIC VIEW  
FROM BACK OF MAIN DISH  
SCALE 1:50



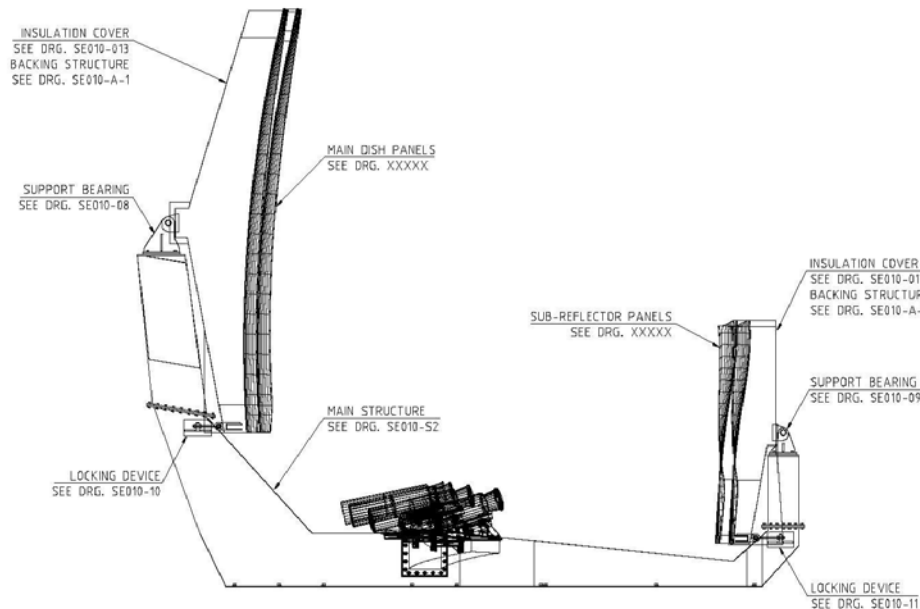
PLAN VIEW  
SCALE 1:30



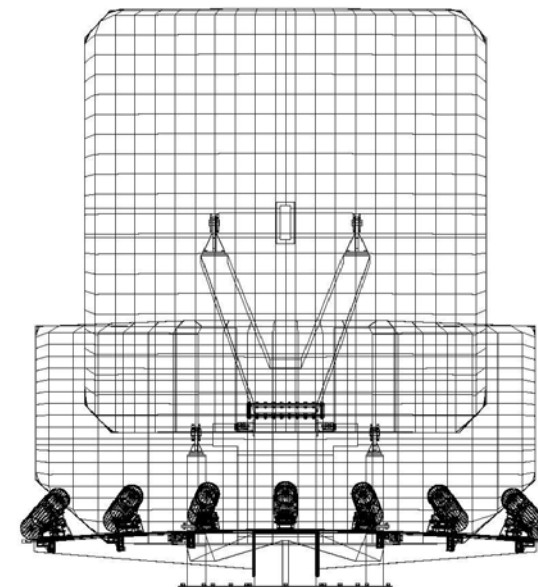
ISOMETRIC VIEW  
FROM FRONT OF MAIN DISH  
SCALE 1:50



MAIN DISH END VIEW  
SCALE 1:30



FRONT VIEW  
SCALE 1:30



SUB-REFLECTOR END VIEW  
SCALE 1:30

REV.	REVISION DESCRIPTION	DATE
A	ISSUED FOR APPROVAL	08-12-00
B	FEED HORNES MOUNTINGS ADDED	10-12-00
C	FEED HORNES SUPPORT BEAM REVISED	02-02-01

- ALL DIMENSION ARE IN MILLIMETRES U.M.G.
- ALL PLATES TO BE TO AS 3678 OR 258 U.M.G.
- ALL SECTIONS TO BE TO AS 3619 OR 382 U.M.G.
- ALL R/R AND CHS TO BE TO AS 193.64 353 U.M.G.
- ALL NOTICES IN HONOR TO HAVE 15mm RADIIUS IN CORNER
- MARK DIM. MUST BE CLEARLY SHOWN ON ALL ITEMS

GENERAL NOTES

- WELDING SYMBOLS SHOWN ARE TO AS 24
- ALL FILLET WELDS TO BE 6 ± 1mm U.M.G.
- ALL WELDING AND WELD PREPARATION FOR STRUCTURAL PURPOSES TO BE AS 1054, PART 1
- ALL HOLES TO BE Ø 22 U.M.G.
- GRIND SMOOTH ALL SHARP CORNERS

ITEM	DESCRIPTION	LENGTH	QTY.	MATERIAL	REMARKS
<b>SYDNEY ENGINEERING</b> Phone: 02 9504 1774 Fax: 02 9725 2619 PHL 9429 L976 FAX 9429 L975					
<b>TST MULTIBEAM ANTENNA GENERAL ASSEMBLY</b>					
SCALE: 1:30 1:50 CHECKED: N.A.M. APPROVED:				DRAWN BY: J.L. DATE: 08-12-00 DRAWING No: SE010-012 REV: C FIG: A1	